



KAFF

BUILT-IN KITCHEN ACCESSORIES, HARDWARE AND SINKS



INDEX

Built-in kitchen storage systems

Series ROLF (Pantry Storage Systems, Corner Storage System & Pullout Storage System)	2
Pull Out Larder Systems	5
Pantry Storage Systems	6
Mega Pantry	8
Pull Out Systems	10
Corner Storage Systems	12
Over-the Counter Systems	15
Under the Sink Systems	15
SS Baskets	16
Fitments	16

Hardware and drawer systems

KBOX

KBOX	17
Double Wall Standard Drawer 84mm Height	
Double Wall Single Gallery Drawer 167mm Height	
Double Wall Double Gallery Drawer 199mm Height	

HBOX

HBOX	19
Slim Wall Drawer 100mm Height	
Double Wall Drawer 183mm Height	
Double Wall Drawer 215mm Height	

HINGES

HINGES	20
3D Hinge: Clip on Soft Close	
Clip on Nickel Plated Soft Close Hinge 105°	
Clip on Stainless Steel Soft Close Hinge 105°	
Clip on Soft Close Hinge 175°	
Clip on Soft Close Corner Hinge	
Clip on Soft Close Hinge	
Soft Close Hinge	
Clip on Auto Close Hinge	
Corner Hinge 35mm Dia	

GAS SPRING

GAS SPRING	25
-------------------	----

BALL BEARING SLIDES

BALL BEARING SLIDES	26
Ball Bearing Runners 45kg Zinc - KTP & KTPB (1.2x1.2x1.5 mm)	
Full Extension Telescopic Runners - KTB & KTX (1.0x1.0x1.2 mm)	
Ball Bearing Telescopic Runners - ZTP & BTP (1.0x1.0x1.2 mm)	
Full Extension Soft Close Telescopic Runners - KTSC (1.2x1.2x1.5mm)	

SINKS

SINKS	
Stainless steel sinks	29
Granite Sinks	34
Recommended Accessories	36



Series **ROLF**

(Pantry Storage Systems, Corner Storage System & Pullout Storage System)



Tall Dual Pantry

- RLTD600** : Dual Pantry unit with soft close
- : Grey finish, 12 metal baskets
- Loading capacity : Upto 60 kg
- Cabinet width : 600mm (outer)
- Cabinet Height : 1800- 1830 mm

Tall Single Large Pantry

- RLSP600** : Pantry unit with soft close
- : Grey finish, Large 6 metal baskets
- Loading capacity : Upto 60 kg
- Cabinet width : 600mm (outer)
- Cabinet Height : 1800-1830 mm

- RLSP450** : Pantry unit with soft close
- : Grey finish, Large 6 metal baskets
- Loading capacity : Upto 60 kg
- Cabinet width : 450mm (outer)
- Cabinet Height : 1800 -1830 mm



Series **ROLF**

Swing Corner

RLSW 45R (Right opening)

RLSW 45L (Left opening)

Swing corner storage with soft close

Grey finish, 2 metal baskets

Loading capacity : Upto 50 kg

Cabinet width : 900 mm (Outer)

Cabinet door width : 450mm



3/4 Round Carousel

RLSC 934

Carousel Corner storage with soft close

Gray finish, 2 metal baskets

Cabinet width : 900mm (outer)

Loading capacity : upto 50 kg

Cabinet door width : 450 mm

Magic Corner

RLMC 45R (Right opening)

RLMC 45L (Left opening)

Magic corner storage with soft close

Grey finish, 4 metal baskets

Loading capacity : Upto 50 kg

Cabinet width : 600 mm (Outer)

Cabinet door width : 450mm





Series **ROLF**

Dual Corner System

RLDC 450

Dual Corner storage with soft close

Gray finish, 4 metal baskets

Cabinet width : 900mm (outer)

Loading capacity : upto 50 kg

Cabinet door width : 450 mm



Bottle Pull Out (Side Mounted)

RLBP 150 : Bottle pull out with soft close

: Grey finish, 2 metal baskets

: Cabinet width : 150mm (outer)

RLBP 200 : Bottle pull out with soft close

: Grey finish, 2 metal baskets

Cabinet width : 200mm (outer)

RLBP 300 : Bottle pull out with soft close

: Grey finish, 2 metal baskets

Cabinet width : 300mm (outer)

Pullout Larder System



Pull Out Short Larder

(Cabinet width 450 mm)

K 900 (M)	: Frame only
+	
K 900 SC (M)	: Heavy duty mechanism with soft close
+	
K 900 (B)	: 4 wire base baskets

Complete Set

Loading capacity : Upto 100 kg

Cabinet Height : 1200-1500 mm



Pantry Storage Systems



Tall Pantry Single

(Cabinet width 450 mm)

K 915 SC (M) : Heavy duty mechanism with soft close

+

K 915 (B) : 10 wire base baskets

Complete Set

Cabinet Height : 1900-2200 mm

ATP45FW

+

ATP45WB

Complete Set

: Mechanism and frame with soft close

: Tall pantry unit with 12 wire Base Basket, Chromed flat line

ATP45SF

+

ATP45SB

Complete Set

: Mechanism and frame with soft close

: Tall pantry unit with 12 Solid Base Basket, Chromed flat line, Anti Skid , Wooden Base, Grey Colour

Loading capacity : Upto 60 kg

Cabinet Height : 1830 mm

Tall Pantry Single

- ATP60SF** : Mechanism and frame with soft close
+
ATP60SB : 12 Solid Base Basket, Chromed flat line, Anti Skid Wooden Base, Grey colour
- Complete Set
- Loading capacity : Upto 60 kg
- Cabinet Height : 1830 mm



Short Pantry Single

(Cabinet width 450 mm)

- K 910 SC (M)** : Heavy duty mechanism with soft close
+
K 910 (B) : 8 wire base baskets

Complete Set

(Cabinet width 600 mm)

- K 911 SC (M)** : Heavy duty mechanism with soft close
+
K 911 (B) : 8 wire base baskets

Complete Set

Loading capacity : Upto 48 kg

Cabinet Height : 1200-1500 mm



Mega Pantry

(Cabinet width 900mm)

MPNSC WB : Pantry double pull out unit,
36 wire base basket

Loading capacity : Upto 150 kg

Cabinet Height : 1900-2200mm

Double Pantry

(Cabinet width 900mm)

K1/302 SS : Pantry double pull
out unit, 16 wire
base basket

Loading capacity : Upto 96 kg

Cabinet Height : 1200-1350mm





Pull Out System



Tall Larder Pull out (for Bottles)

(Cabinet width 150mm)

KLRDSC15 : Heavy duty mechanism with soft close 6 Wire base basket

Loading capacity : Upto 50 kg

Cabinet Height : 1900-2200 mm

Bottle Pull Out

(Cabinet width 150mm)

K 203 SC (M) : Mechanism pull out unit bottom mounted with soft close

+

K 203 (B) : 2 wire base baskets with soft close

Complete Set

(Cabinet width 300mm)

K 204 SC (M) : Mechanism pull out unit bottom mounted with soft close

+

K 204 (B) : 2 wire base baskets with soft close

Complete Set



Side Pull Out (Side Mounted)

(Cabinet width options 150, 200, 300 mm)

- K 200 SP (M) : Mechanism with soft close
- K 200 15 (SB) : 2 Solid base baskets
- K 200 20 (SB) : 2 Solid base baskets
- K 200 30 (SB) : 2 Solid base baskets



Pull Out Grain Trolley

(Cabinet width 600 mm)

K 217 SC (M) : Mechanism with soft close

KD 217 (B) : 1 Deco mica baskets

Loading Capacity : Upto 35 kg

Complete Set



Swing Corner Storage Systems



Swing Corner

(Cabinet width 1200 mm)

KSC LDSC60 (Left opening)

KSC RDSC60 (Right opening)

Swing tray with solid base and soft close

Cabinet door width : 600 mm

Loading capacity : Upto 60 kg

(Cabinet width 900 mm)

ASW45R (Right opening)

ASW45L (Left opening)

With 2 solid basket, Chromed Flat line Frame with Anti Skid matt pasted on Wooden base, Grey colour frame

Cabinet door width : 450 mm

Loading capacity : 60 kg



Dual Corner System



ADC45

(Cabinet width 800mm - 900mm)

With solid base 4 basket, Chromed Flat line Frame with Anti Skid matt pasted on Wooden base, Grey colour Frame

Cabinet door width : 450 mm

Loading capacity : 60 kg



Carousel



3/4 Carousel

(Cabinet width : 900 x 900 mm)

KCS 430

Heavy duty carousel

Cabinet door width : 295 mm

Load capacity : Upto 50 kg

1/2 Round Carousel

(Cabinet width : 1050 mm)

KCS 425

Heavy duty carousel

Cabinet door width : 450 mm

Load capacity : Upto 50 kg



Over The Counter Systems



Dish Rack (Without Cabinet)

The Drainer can hold upto 6 Thalys & 10 Plates and the bottom mesh is for holding utensils like spoons, forks, cups, bowls, glass, knives, etc.

ADR60 (Cabinet width - 600 mm)
Dish rack with drip tray-SS

ADR90 (Cabinet width - 900 mm)
Dish rack with drip tray-SS

Under The Sink System Detergent Rack



KD 215 :
(Cabinet width : 300 mm)
• Pull out detergent rack
• Basket: 2 deco mica basket



ADR30 :
(Cabinet width : 300 mm)
• Portable Detergent Rack
• Coated with multi-layer chrome plating that is tested to ensure a rust free life of the product.
• Equipped with 2 equal shelves
• Bottom mounted is designed to ensure easy installation

Waste Bin (Cabinet width : 300 mm)



AWB 30
• Designed for the ultra-modern kitchen
• Loading capacity - 42 ltrs.
• Quick Installation,
• Full extension of slide for easy access to the bucket

Towel Holder Cabinet width : 150mm



KTWH BPW15:
Pull out towel holder



Stainless Steel Wire Baskets (without channel)

(Height 100mm & Depth 508mm)

Code	Basket width	Cabinet width
KB 45 100 :	380mm	450mm
KB 50 100 :	430mm	500mm
KB 55 100 :	480mm	550mm
KB 60 100 :	530mm	600mm
KB 90 100 :	830mm	900mm



(Height 150mm & Depth 508mm)

Code	Basket width	Cabinet width
KB 45 150 :	380mm	450mm
KB 50 150 :	430mm	500mm
KB 55 150 :	480mm	550mm
KB 60 150 :	530mm	600mm
KB 90 150 :	830mm	900mm

(Height 200mm & Depth 508mm)

Code	Basket width	Cabinet width
KB 45 200 :	380mm	450mm
KB 50 200 :	430mm	500mm
KB 55 200 :	480mm	550mm
KB 60 200 :	530mm	600mm
KB 90 200 :	830mm	900mm

Fitments



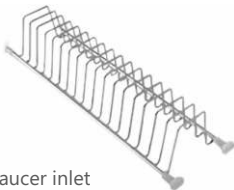
Partition Inlet 100mm
KB PI100



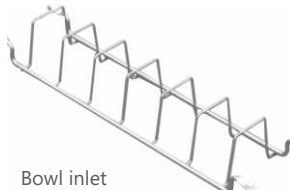
Partition Inlet 150mm
KB PI150



Partition Inlet 200mm
KB PI200



Saucer inlet
KB SI



Bowl inlet
KB WI

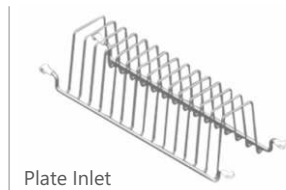
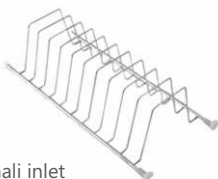
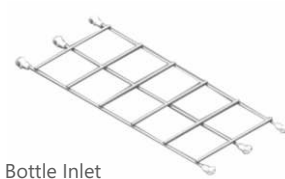


Plate Inlet
KB PLI



Thali inlet
KB THI



Bottle Inlet
KB BTI



Undermount Runner cover, pair
IN4CVRFTNG

HARDWARE & DRAWER SYSTEMS


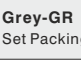


Double Wall Standard Drawer System (84mm Height)



- Equipped with concealed, synchronized full extension slide
- Drawers are available in Grey and White colour
- Tool free front assembly
- 2-dimensional front adjustment up/down, left/right
- Includes integrated SLOW MOTION for silent and effortless closing action
- Dynamic load capacity: Upto 45kg
- Recommended drawer width 300 - 900mm, 1000 - 1200mm with stabilizer only

Order information - 84mm Height Standard Drawer for Wooden Drawer Back, set packing



	White-WH Set Packing	Grey-GR Set Packing
		
LENGTH/DEPTH	Product Code	Product Code
450 mm	KBXSC45-WHT84	KBXSC45-GR84
500 mm	KBXSC50-WHT84	KBXSC50-GR84

Double Wall Single Gallery Drawer System (167mm Height)



- Equipped with concealed, synchronized full extension slide
- Drawers are available in Grey and White colour
- Tool free front assembly
- 3-dimensional front adjustment up/ down, left/right
- Includes integrated SLOW MOTION for silent and effortless closing action
- Dynamic load capacity: Upto 45kg
- Recommended drawer width 300-900mm, 1000 - 1200mm with stabilizer only

Order information - 167mm Height Gallery Drawer with Single Rectangular Railing for Wooden Drawer Back, set packing

	White-WH Set Packing	Grey-GR Set Packing
		
LENGTH/DEPTH	Product Code	Product Code
450 mm	KBXSC45-WHT167	KBXSC45-GR167
500 mm	KBXSC50-WHT167	KBXSC50-GR167






KBOXDWD

Double Wall Double Gallery Drawer System (199mm Height)



- Equipped with concealed, synchronized full extension slide
- Drawers are available in Grey and White colour
- Tool free front assembly
- 3-dimensional front adjustment up/ down, left/right
- Includes integrated SLOW MOTION for silent and effortless closing action
- Dynamic load capacity: Upto 50kg
- Recommended drawer width 300-900mm, 1000 - 1200mm with stabilizer only

Order information - 199mm Height Gallery Drawer with Double Rectangular Railing for Wooden Drawer Back, set packing

	 White-WH Set Packing	Grey-GR Set Packing
LENGTH/DEPTH	 Product Code	 Product Code
450 mm	KBXSC45-WHT199	KBXSC45-GR199
500 mm	KBXSC50-WHT199	KBXSC50-GR199

H BOX DWD

Slim Wall Drawer System (100mm Height)



- Length: Only 500mm
- The drawer side-board is 100mm high
- Drawer width can be designed freely with automatic error adjustment
- Hidden full pullout silent sliding skid can bear 45kg and enjoys excellent stability and quiet and smooth sliding performance
- Quick installation and dismantle
- Newly designed built-in damper is free from reinstallation and ensures soft and smooth drawer movements

Length/Depth	Product Code	Length/Depth	Product Code
500 mm	HBXPSC 50 WHT 100	500 mm	HBXPSC 50 GR 100

Double Wall Drawer System (183mm Height)



- Length: Only 500mm
- The drawer side-board is 183mm high
- Drawer width can be designed freely with automatic error adjustment
- Hidden full pullout silent sliding skid can bear 45kg and enjoys excellent stability and quiet and smooth sliding performance
- Quick installation and dismantle
- Newly designed built-in damper is free from reinstallation and ensures soft and smooth drawer movements

Length/Depth	Product Code	Length/Depth	Product Code
500 mm	HBXPSC 50 WHT 183	500 mm	HBXPSC 50 GR 183

Double Wall Drawer System (215mm Height)



- Length: Only 500mm
- The drawer side-board is 215mm high
- Drawer width can be designed freely with automatic error adjustment
- Hidden full pullout silent sliding skid can bear 50kg and enjoys excellent stability and quiet and smooth sliding performance
- Quick installation and dismantle
- Newly designed built-in damper is free from reinstallation and ensures soft and smooth drawer movements


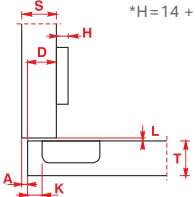

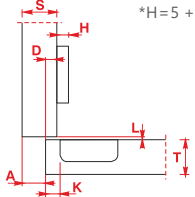

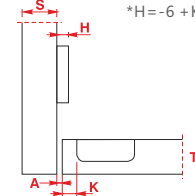
Length/Depth	Product Code	Length/Depth	Product Code
500 mm	HBXPSC 50 WHT 215	500 mm	HBXPSC 50 GR 215



HINGE

3D Hinge (Premium) : Clip on soft close


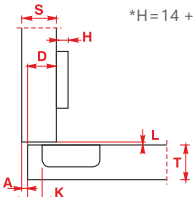

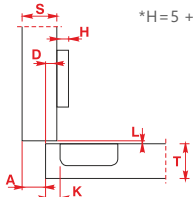

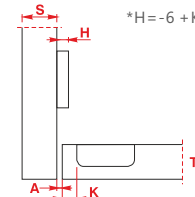
Upto 105° opening soft closing hinge

 <p>Full overlay C=0</p>	 <p>*H=14 + K -(D)</p>	Soft-close	KHSC 3D-0	50
		Steel Nickel Plated		
 <p>Half overlay C=9</p>	 <p>*H=5 + K -(D)</p>	Steel Nickel Plated	KHSC 3D-8	50
		Soft-close		
 <p>Inset C=18</p>	 <p>*H=-6 + K +(A)</p>	Steel Nickel Plated	KHSC 3D-15	50
		Soft-close		

Standard Mounting Plate Height KHSC 3D-0, KHSC 3D-8, KHSC 3D-15: 0mm

3D Hinge (Premium) : Clip on soft close


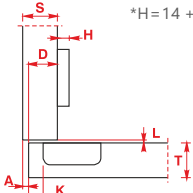

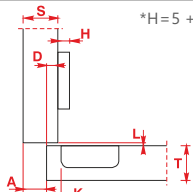

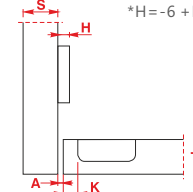
Upto 105° opening soft closing hinge (Black Finish)

 <p>Full overlay C=0</p>	 <p>*H=14 + K -(D)</p>	Soft-close	KHSC 3D BL-0	50
		Steel Black Nickel Plated		
 <p>Half overlay C=9</p>	 <p>*H=5 + K -(D)</p>	Steel Black Nickel Plated	KHSC 3D BL-8	50
		Soft-close		
 <p>Inset C=18</p>	 <p>*H=-6 + K +(A)</p>	Steel Black Nickel Plated	KHSC 3D BL-15	50
		Soft-close		

Standard Mounting Plate Height KHSC 3D BL-0, KHSC 3D BL-8, KHSC 3D BL-15: 0mm

3d Hinge : Clip On Soft Close


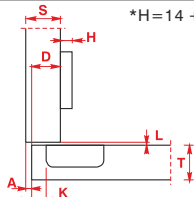

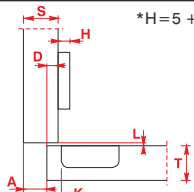

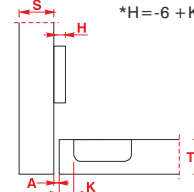
Upto 105° opening soft closing hinge

 <p>Full overlay C=0</p>	 <p>*H=14 + K -(D)</p>	Soft-close	Item No. HSC 3D-0	Pairs/ctn 50
		Steel Nickel Plated		
 <p>Half overlay C=9</p>	 <p>*H=5 + K -(D)</p>	Steel Nickel Plated	Item No. HSC 3D-8	Pairs/ctn 50
		Soft-close		
 <p>Inset C=18</p>	 <p>*H=-6 + K +(A)</p>	Steel Nickel Plated	Item No. HSC 3D-15	Pairs/ctn 50
		Soft-close		

Standard Mounting Plate Height HSC 3D-0, HSC 3D-8, HSC 3D-15: 0mm

Clip On Soft Close Stainless Steel (304) Hinge 105°

Upto 105° opening soft closing hinge


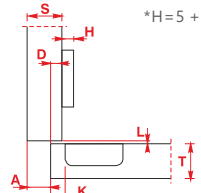

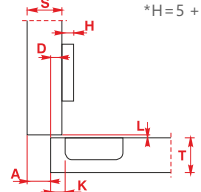

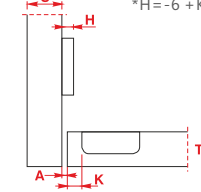
 <p>Full overlay C=0</p>	 <p>*H=14 + K -(D)</p>	Soft-close	Item No. KHSC0-SS	Pairs/ctn 50
		Stainless Steel Plated		
 <p>Half overlay C=9</p>	 <p>*H=5 + K -(D)</p>	Soft-close	Item No. KHSC8-SS	Pairs/ctn 50
		Stainless Steel Plated		
 <p>Inset C=18</p>	 <p>*H=-6 + K +(A)</p>	Soft-close	Item No. KHSC15-SS	Pairs/ctn 50
		Stainless Steel Plated		

Standard Mounting Plate Height KHSC0, KHSC8, KHSC15: 0mm



Clip on Nickle Plated Soft Close Hinge 105°


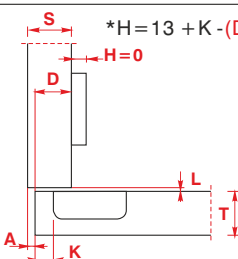
Upto 105° opening soft closing hinge

 <p>Half overlay C=9</p>	 <p>*H=5 + K -(D)</p>	Steel Nickel Plated	KHSC-0	50
		Soft-close		
 <p>Half overlay C=9</p>	 <p>*H=5 + K -(D)</p>	Steel Nickel Plated	KHSC-8	50
		Soft-close		
 <p>Inset C=18</p>	 <p>*H=-6 + K +(A)</p>	Steel Nickel Plated	KHSC-15	50
		Soft-close		

Standard Mounting Plate Height KHSC0, KHSC8, KHSC15: 0mm

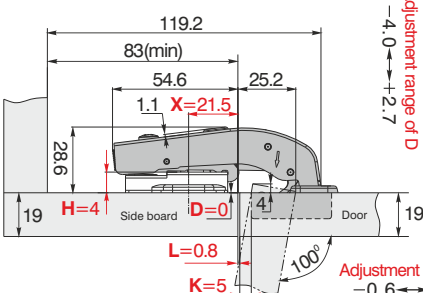

Clip on Soft Close Hinge 175°

Upto 175° opening 35mm dia soft closing hinge

 <p>Full overlay C=0</p>	 <p>*H=13 + K -(D) H=0</p>		Code No.	Pairs/ctn
		Soft-close	KHSC-175	50
		Steel Nickel Plated		


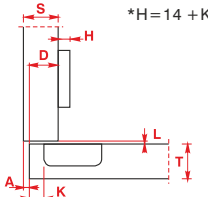

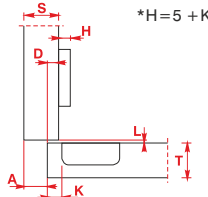

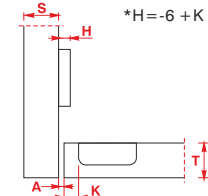
Clip on Soft Close Corner Hinge

Upto 90° opening 35mm dia soft closing corner hinge

 <p>119.2 83(min) 54.6 25.2 1.1 X=21.5 28.6 19 H=4 Side board D=0 4 19 L=0.8 K=5 100° Adjustment range of D -4.0 → +2.7 Adjustment range of L -0.6 → +3.4</p>	 <p>90°</p>		Code No.	Pairs/ctn
		Soft-close	KHSC-BC	50


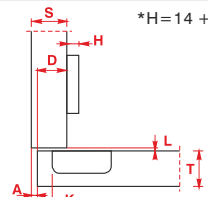

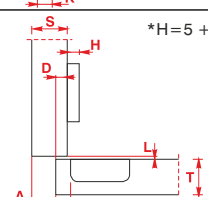

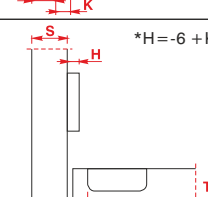
Clip on Soft Close Hinge

Upto 105° opening clip on hinge

 <p>Full overlay C=0</p>	 <p>$*H = 14 + K - (D)$</p>	Soft-close	HDH-0	50
		Steel Nickel Plated		
 <p>Half overlay C=9</p>	 <p>$*H = 5 + K - (D)$</p>	Steel Nickel Plated	HDH-8	50
		Soft-close		
 <p>Inset C=18</p>	 <p>$*H = -6 + K + (A)$</p>	Steel Nickel Plated	HDH-15	50
		Soft-close		

Standard Mounting Plate Height HDH0, HDH8, HDH15: 0mm

Soft Close Hinge


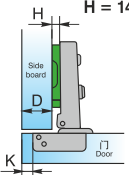

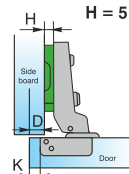

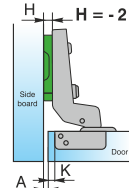
 <p>Full overlay C=0</p>	 <p>$*H = 14 + K - (D)$</p>	Soft-close	HSC-0	100
		Steel Nickel Plated		
 <p>Half overlay C=9</p>	 <p>$*H = 5 + K - (D)$</p>	Soft-close	HSC-8	100
		Steel Nickel Plated		
 <p>Inset C=18</p>	 <p>$*H = -6 + K + (A)$</p>	Soft-close	HSC-15	100
		Steel Nickel Plated		

Standard Mounting Plate Height HSC0, HSC8, HSC15: 0mm




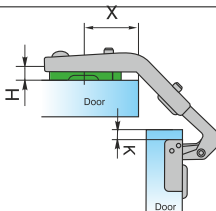

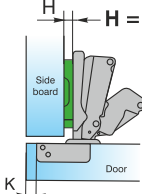

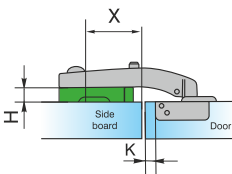
Clip on Auto Close Hinge

Upto 105° opening 35mm standard auto closing hinge

<p>Full overlay C=0</p> 	 <p>$H = 14 + K - D$</p>	<p>Steel Nickel Plated</p> <p>KH001A</p> <p>Pairs/carton 100</p>
<p>Half overlay C=9</p> 	 <p>$H = 5 + K - D$</p>	<p>Steel Nickel Plated</p> <p>KH002A</p> <p>Pairs/carton 100</p>
<p>Inset C=18</p> 	 <p>$H = -2 + K + A$</p>	<p>Steel Nickel Plated</p> <p>KH003A</p> <p>Pairs/carton 100</p>

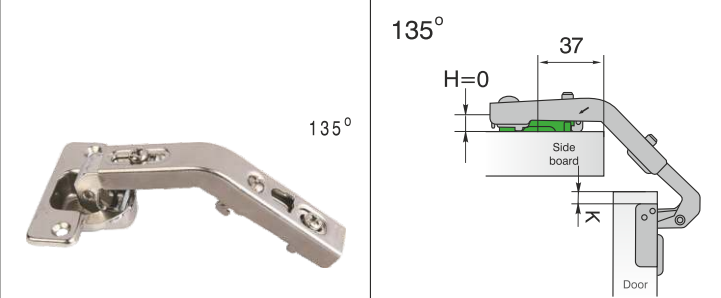
Standard Mounting Plate Height KH001A, KH002A, KH003A: (-)2mm

Corner Hinge 35mm Dia

<p>Slide-on hinge pie corner 135°</p> 		<p>Steel Nickel Plated</p> <p>KH-004A</p> <p>Pairs/carton 100</p>
<p>Slide-on auto closing hinge wide angle 175° full over lay</p> 	 <p>$H = 14 + K - D$</p>	<p>Steel Nickel Plated</p> <p>KH-005A</p> <p>Pairs/carton 50</p>
<p>Slide-on auto closing hinge blind corner 90°</p> 		<p>Steel Nickel Plated</p> <p>KH-006A</p> <p>Pairs/carton 50</p>

Standard Mounting Plate Height KH004A, KH005A: (-)2mm, KH006A: 4mm

Upto 135° opening 35mm dia soft closing corner hinge

	Code No.
	KH-BF
	Steel Nickel Plated
	Pairs/ctn: 50
MRP/pair 545	

Standard Mounting Plate Height KHSCBC: 4mm, KF-BF: 0mm

Gas Spring

Normal profile gas spring (Silver finish)

Gas Spring (10 inch, Silver, Fitting, 5 Screws)

	KGLS6N	Force 60N
	KGLS8N	Force 80N
	KGLS10N	Force 100N
	KGLS12N	Force 120N
	KGLS15N	Force 150N

BB SLIDE

Ball Bearing Runners 45kg Zinc - KTP & KTPB (1.2x1.2x1.5 mm)

★ PREMIUM QUALITY



- Precision full-extension slide with 5 ball bearing, weight capacity 45kg
- Using a release lever, the drawer can be detached from the slide and thus removed and re-fitted with ease.
- Smooth action and high side stability through precision slide
- For wooden drawers with grooved, rebated or loosely fitted bases
- Zinc plated steel/black

Item No. Black	Item No. Black	Slide Length	A mm	B mm	C mm	D mm	E mm	L mm	L1 mm
KTP-10	KTPB-10	250	35.9	160		64	160	250	247
KTP-12	KTPB-12	300	35.9	224		64	192	300	297
KTP-14	KTPB-14	350	35.9	128	256	64	192	350	347
KTP-16	KTPB-16	400	35.9	160	320	64	224	400	397
KTP-18	KTPB-18	450	35.9	160	352	64	288	450	447
KTP-20	KTPB-20	500	35.9	192	416	64	352	500	497
KTP-22	KTPB-22	550	35.9	224	448	64	384	550	547
KTP-24	KTPB-24	600	35.9	256	512	64	448	600	597

Full Extension Telescopic Runners - KTB & KTX (1.0x1.0x1.2 mm)



- Precision full-extension slide, weight capacity 45kgs
- Using a release lever, the drawer can be detached from the slide and thus removed and re-fitted with ease.
- Smooth action and high side stability through precision slide
- For wooden drawers & wire baskets
- Zinc plated steel
- High quality Nylon bush

Code	Code	Slide Length mm									
		A $\begin{smallmatrix} +0 \\ -0.5 \end{smallmatrix}$	B ± 3	C ± 0.5	D ± 0.3	E ± 0.3	F ± 0.3	G ± 0.3	H ± 0.3	I ± 0.3	J ± 0.3
KTB10	KTX10	250	253	247	/	98	/	/	34	160	/
KTB12	KTX12	300	303	397	/	128	/	/	34	96	128
KTB14	KTX14	350	353	347	160	/	/	/	34	96	160
KTB16	KTX16	400	403	497	/	/	160	224	34	128	192
KTB18	KTX18	450	453	447	160	/	/	/	34	160	192
KTB20	KTX20	500	503	597	160	/	288	352	34	192	224
KTB22	KTX22	550	553	547	160	/	320	384	34	192	256
KTB24	KTX24	550	603	697	160	288	384	448	34	224	288



Ball Bearing Telescopic Runners - ZTP & BTP (1.0x1.0x1.2mm)



- Using a release lever, the drawer can be detached from the slide and thus removed and re-fitted with ease.
- Smooth action and high side stability through precision slide
- For wooden drawers & wire baskets
- Zinc plated steel and with black finish
- High quality Nylon bush

		Slide Length mm									
Code	Code	A $\begin{smallmatrix} +0 \\ -0.5 \end{smallmatrix}$	B ± 3	C ± 0.5	D ± 0.3	E ± 0.3	F ± 0.3	G ± 0.3	H ± 0.3	I ± 0.3	J ± 0.3
ZTP10	BTP10	250	253	247		98			34	160	
ZTP12	BTP12	300	303	397		128			34	96	128
ZTP14	BTP14	350	353	347	160				34	96	160
ZTP16	BTP16	400	403	497			160	224	34	128	192
ZTP18	BTP18	450	453	447	160		288		34	160	192
ZTP20	BTP20	500	503	597	160		288	352	34	192	224
ZTP22	BTP22	550	553	547	160		320	384	34	192	256
ZTP24	BTP24	550	603	697	160	288	384	448	34	224	288

Soft Close Series (Full Extension Soft Close Telescopic Runners)



KTSC (Premium) (1.2 x 1.2 x 1.5 mm)

- Load capacity: 45kg
- Lengths:300-600mm
- Single way travel
- Finish: Blue zinc plated(B02), Black(D01)

TSC (1.0 x 1.0 x 1.2 mm)

- Load capacity: 35kg
- Lengths:300-600mm
- Single way travel
- Finish: Blue zinc plated(B02), Black(D01)

Item no. Zinc	Item no. Zinc	Length	Travel	Hole pattern					pair/ctn
				A	B	C	D	E	
KTSC-10	TSC-10	350	450	352	160	64	224		10
KTSC-12	TSC-12	350	450	352	160	64	224		10
KTSC-14	TSC-14	350	450	352	160	64	224		10
KTSC-16	TSC-16	400	500	416	192	64	256		10
KTSC-18	TSC-18	450	550	448	224	64	224	320	10
KTSC-20	TSC-20	500	500	416	192	64	256		10
KTSC-22	TSC-22	550	550	448	224	64	224	320	10
KTSC-24	TSC-24	550	550	448	224	64	224	320	10

SINKS THAT INSPIRE KITCHENS



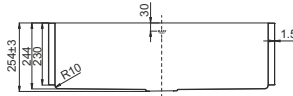
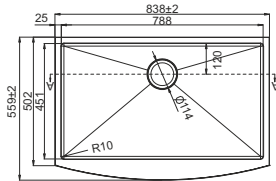
Apron Sinks | Handmade Stainless Steel Sinks | Double drawn Sinks | Granite Sinks



Series Ashford

Handmade Stainless Steel Apron Sinks

KSA 83 SB (R10)



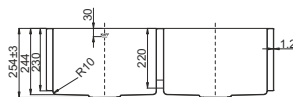
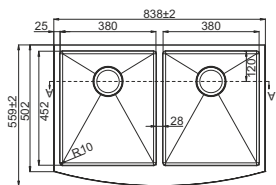
Dimensions

- Over All Size : 838 x 559 (mm)
(33" x 22")
- Bowl Size : 788 x 451 x 254 (mm)
(31" x 18" x 10")
- Depth : 254 mm (10")
- Radius : R10

Features:-

- Handmade single bowl SS apron sink
- With sound reduction pad on bottom & all sides
- With anti condensation coating
- With siphon and pipe

KSA 83 DB (R10)



Dimensions

- Over All Size : 838 x 559 (mm)
(33" x 22")
- Bowl Size : 380 x 452 x 254 (mm)
(15" x 18" x 10")
- Depth : 254 mm (10")
- Radius : R10

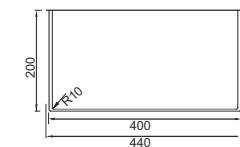
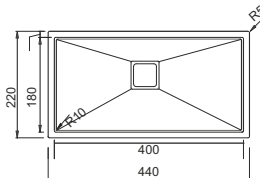
Features:-

- Handmade double bowl stainless steel apron sink
- With sound reduction pad on bottom & all sides
- With anti condensation coating
- With siphon and pipe

Bar Sink (R10)

Handmade Stainless Steel Sinks (Radius R10)

KS 22 SB (R10)



Dimensions

- Over All Size : 220 x 440 (mm)
(9" x 17")
- Bowl Size : 180 x 400 x 200 (mm)
(7" x 16" x 8")
- Depth : 200mm (8")
- Radius : R10

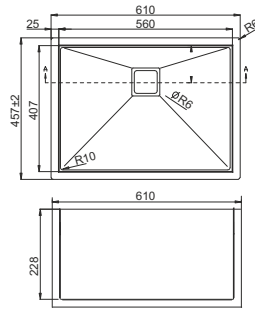
Features:-

- Handmade single bowl stainless steel sink
- With sound reduction pad on bottom & all sides
- With anti condensation coating
- With siphon and pipe

Series Marco

Handmade Stainless Steel Sinks (Radius R10)

KS 610 SB (R10)



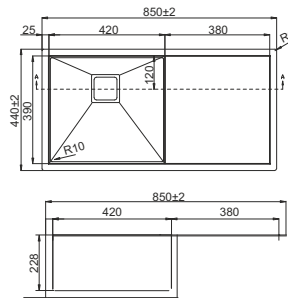
Dimensions

- Over All Size : 610 x 457 (mm)
(24" x 18")
- Bowl Size : 560 x 407 x 228 (mm)
(22" x 16" x 9")
- Depth : 228 mm (9")
- Radius : R10

Features:-

- Handmade single bowl stainless steel sink
- With sound reduction pad on bottom & all sides
- With anti condensation coating
- With siphon and pipe

KS 850 SBD (R10)



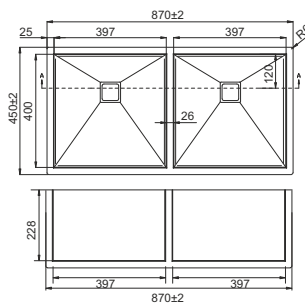
Dimensions

- Over All Size : 850 x 440 (mm)
(34" x 17")
- Bowl Size : 420 x 390 x 228 (mm)
(17" x 16" x 9")
- Depth : 228 mm (9")
- Radius : R10

Features:-

- Handmade single bowl with drain board stainless steel sink
- With Sound reduction pad on bottom & all sides
- With anti condensation coating
- With Siphon and pipe

KS 870 DB (R10)



Dimensions

- Over All Size : 870 x 450 (mm)
(34" x 18")
- Bowl Size : 397 x 400 x 228 (mm)
(16" x 16" x 9")
- Depth : 228mm (9")
- Radius : R10

Features:-

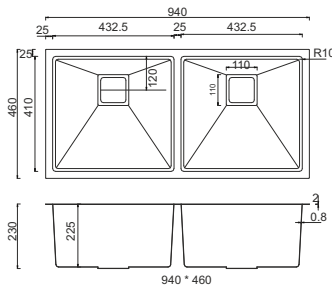
- Handmade double bowl stainless steel sink
- With sound reduction pad on bottom & all sides
- With anti condensation coating
- With siphon and pipe



Series Marco

Handmade Stainless Steel Sinks (Radius R10)

KS 940 DB-R10



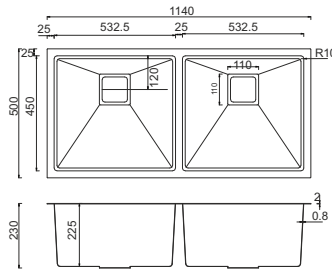
Dimensions

- Over All Size : 940 x 460 (mm)
(37" x 18")
- Bowl Size : 432.5 x 410 x 230(mm)
(17" x 16" x 9")
- Depth : 230mm (9")
- Radius : R10

Features:-

- Handmade Double bowl stainless steel sink
- With sound reduction pad on bottom & all sides
- With anti condensation coating
- With siphon and pipe

KS 114 DB (R10)



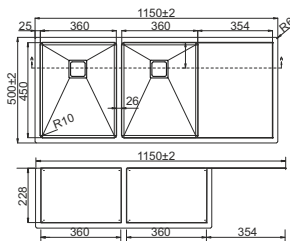
Dimensions

- Over All Size : 1140 x 500 (mm)
(44" x 20")
- Bowl Size : 532 x 450 x 225 (mm)
(20" x 18" x 9")
- Depth : 225mm (9")
- Radius : R10

Features:-

- Handmade double bowl stainless steel sink
- With sound reduction pad on bottom & all sides
- With anti condensation coating
- With siphon and pipe

KS 115 DBD (R10)



Dimensions

- Over All Size : 1150 x 500 (mm)
(45" x 20")
- Bowl Size : 360 x 450 x 228 (mm)
(14" x 18" x 9")
- Depth : 228 mm (9")
- Radius : R10

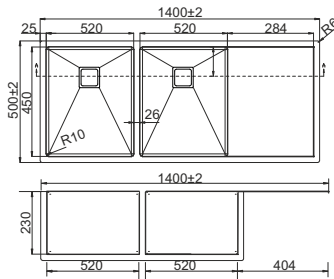
Features:-

- Handmade double bowl with drainboard stainless steel sink
- With sound reduction pad on bottom & all sides
- With anti condensation coating
- With siphon and pipe

Series Marco

Handmade Stainless Steel Sinks (Radius R10)

KS 140 DBD (R10)



Dimensions

- Over All Size : 1400 x 500 (mm)
(55" x 20")
- Bowl Size : 520 x 450 x 230 (mm)
(20" x 18" x 9")
- Depth : 230 mm (9")
- Radius : R10

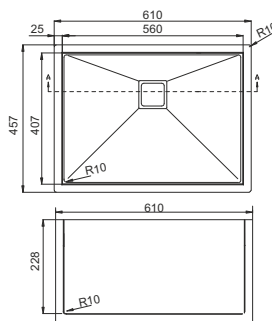
Features:-

- Handmade Double bowl with drainboard stainless steel sink
- With sound reduction pad on bottom & all sides
- With anti condensation coating
- With siphon and pipe

Series Carra

Handmade Stainless Steel Sinks (Radius R10) PVD Black Steel

KSBL 610 SB (R10)



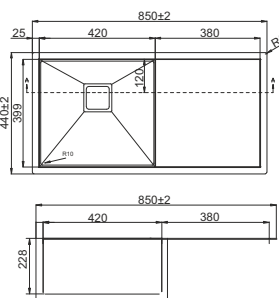
Dimensions

- Over All Size : 610 x 457 (mm)
(24" x 18")
- Bowl Size : 560 x 407 x 228
(mm) (22" x 16" x 9")
- Depth : 228 mm (9")
- Radius : R10

Features:-

- Handmade single bowl stainless steel black sink
- With sound reduction pad on bottom & all sides
- With anti condensation coating
- With siphon and pipe

KSBL 850 SBD (R10)



Dimensions

- Over All Size : 850 x 440 (mm)
(34" x 17")
- Bowl Size : 420 x 390 x 228 (mm)
(17" x 16" x 9")
- Depth : 228 mm (9")
- Radius : R10

Features:-

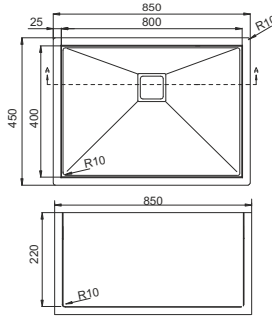
- Handmade single bowl with drain board stainless steel black sink
- With Sound reduction pad on bottom & all sides
- With anti condensation coating
- With Siphon and pipe



Series Carra

Handmade Stainless Steel Sinks (Radius R10)
PVD Black Steel

KSBL 850 SB (R10)



Dimensions

- Over All Size : 850 x 450 (mm)
(34" x 18")
- Bowl Size : 800 x 400 x 220 (mm)
(31" x 16" x 9")
- Depth : 220 mm (9")
- Radius : R10

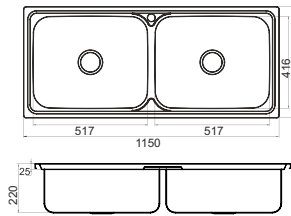
Features:-

- Double bowl stainless steel sink
- With sound reduction pad on bottom & all sides
- With anti condensation coating
- With siphon and pipe

Series Olivia

Double Drawn Stainless Steel Sinks

KSD 115 DB



Dimensions

- Over All Size : 1150 x 500 (mm)
(45" x 20")
- Bowl Size : 517 x 416 x 220 (mm)
(20" x 16" x 9")
- Depth : 220 mm (9")

Features:-

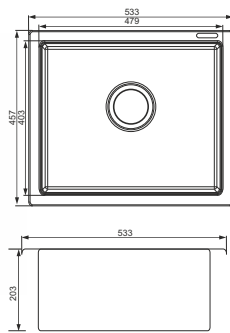
- Double bowl stainless steel sink
- With sound reduction pad on bottom & all sides
- With anti condensation coating
- With siphon and pipe

Series Casso

Granite Sinks



KSG 21 SB BLK



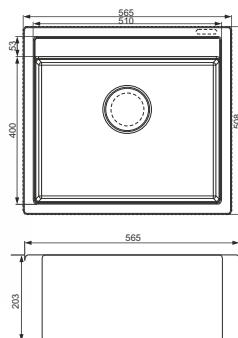
Dimensions

- Over All Size : 533 x 457 (mm)
(21" x 18")
- Bowl Size : 479 x 403 x 203 (mm)
(19" x 16" x 8")
- Depth : 203 mm (8")

Features:-

- Single bowl granite sink
- Heat resistance: stays intact on contact with hot objects
- Resistance to chemicals: does not discolour even with strong chemical cleaners.
- Easy to clean: coffee or red wine leaves no stain
- Scratching resistance: resistant to scratches, marks & wear.

KSG 22 SB BLK



Dimensions

- Over All Size : 565 x 508 (mm)
(22" x 20")
- Bowl Size : 510 x 400 x 203 (mm)
(20" x 16" x 8")
- Depth : 203 mm (8")

Features:-

- Single bowl granite sink
- Heat resistance: stays intact on contact with hot objects
- Resistance to chemicals: does not discolour even with strong chemical cleaners.
- Easy to clean: coffee or red wine leaves no stain
- Scratching resistance: resistant to scratches, marks & wear.



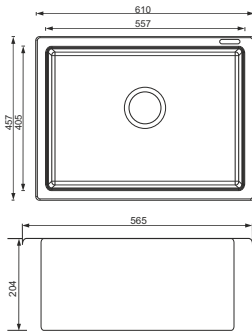
Series Casso

Granite Sinks

KSG 24 SB BG/BLK



Available colours: ● ●



Dimensions

- Over All Size : 610 x 457 (mm) (24" x 18")
- Bowl Size : 557 x 405 x 204 (mm) (22" x 16" x 8")
- Depth : 204 mm (8")

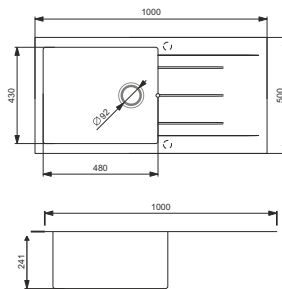
Features:-

- Single bowl granite sink
- Heat resistance: stays intact on contact with hot objects
- Resistance to chemicals: does not discolour even with strong chemical cleaners.
- Easy to clean: coffee or red wine leaves no stain
- Scratching resistance: resistant to scratches, marks & wear.

KSG 40 SDB BLK/BG/GR



Available colours: ● ● ●



Dimensions

- Over All Size : 1000 x 500 (mm) (39" x 20")
- Bowl Size : 480 x 430 x 241 (mm) (19" x 17" x 9")
- Depth : 241 mm (9")

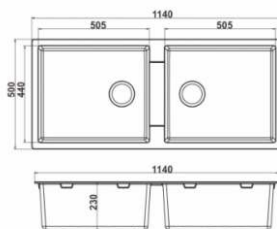
Features:-

- Single bowl with drainboard granite sink
- Heat resistance: stays intact on contact with hot objects
- Resistance to chemicals: does not discolour even with strong chemical cleaners.
- Easy to clean: coffee or red wine leaves no stain
- Scratching resistance: resistant to scratches, marks & wear.

KSG 45 DBN BL/BG/GR



Available colours: ● ● ●



Dimensions

- Over All Size : 1140 x 500 (mm) (45" x 20")
- Bowl Size : 505 x 440 x 230 (mm) (20" x 17" x 9")
- Depth : 230 mm (9")

Features:-

- Double bowl granite sink
- Heat resistance: stays intact on contact with hot objects
- Resistance to chemicals: does not discolour even with strong chemical cleaners.
- Easy to clean: coffee or red wine leaves no stain
- Scratching resistance: resistant to scratches, marks & wear.

Recommended Accessories



Rollmat

KSRMT

Stainless Steel 304 Grade

Size : 450 x 310 mm (W x D)



Crockery Basket

CRBT

Stainless Steel 304 Grade

Wire Basket

KAFF

www.kaff.in | 1800-180-2221 | SMS: KAFF at 56677 | Follow Us:   



ISO 9001:2008



In keeping with our policy of continuous product upgradations, specifications, design and material may change without prior notice. No part of this catalogue, whole or in part, may be reproduced or utilized in any form or by any means without written consent from KAFF Appliances (India) Pvt. Ltd. © 2022-23 *Configurations shown in the picture may differ with the actual product.

KAFF/09/2023